

MUNISIPALITEIT
VAN
PRINS ALBERT



MUNICIPALITY
OF
PRINCE ALBERT

Rig alle korrespondensie
aan:

DIE MUNISIPALE BESTUURDER
Privaatsak X53, Prins Albert, 6930
E-Pos / E-Mail: adminklerk@pamun.gov.za

Address all correspondence
to:

THE MUNICIPAL MANAGER
Private Bag X53, Prince Albert, 6930
Tel: 023-541 1036, Fax: 023-541 1035

REQUEST FOR FORMAL WRITTEN PRICE QUOTATION

QUOTATION NUMBER:	180/2020
QUOTATION DESCRIPTION:	SUPPLY AND DELIVERY OF SUBMERSIBLE PUMPSETS AND APPURTENANT BOREHOLE HEADWORKS FITTINGS FOR PRODUCTION BOREHOLE IN PRINCE ALBERT, FOR THE PRINCE ALBERT MUNICIPALITY.
DATE PUBLISHED:	18 SEPTEMBER 2020
CLOSING DATE & TIME:	28 SEPTEMBER 2020 @ 23H59

Prince Albert Municipality hereby invites quotations from bidders for the supply of the goods/ services as detailed in the enclosed schedule.

The following conditions will apply:

1. Price(s) quoted must be valid for at least **thirty (30) days** from date of your offer.
2. Price(s) quoted must be firm and inclusive of VAT (if applicable).
3. This quotation will be evaluated in terms of the 80/20 preference point system as prescribed in the Preferential Procurement Policy Framework Act (No 5 of 2000) and for this purpose the MBD 6.1 and MBD 6.2 (**Local content**) form must be scrutinized, completed and submitted together with your quotation.
4. **NB: No quotations will be considered from persons in the service of the state.** The Declaration of Interest (MBD 4) form must be completed.
5. **No awards will be made to persons whose tax affairs are not in order.** Please attach a valid tax clearance certificate obtained from SARS, and/or a tax status pin letter.
6. **To combat abuse of the supply chain management process, the bidder must complete the declaration of his/her past supply chain management practices (MBD 8).**

7. **To prevent collusion, the Certificate for Independent Bid Determination Form (MDB 9) must be completed.**
8. Quotations received after the closing date will not be considered and evaluated.
9. Quotations may only be submitted on the bid documentation that is issued. Failure to comply will result in the bid being non-responsive.
10. Should your offer be accepted, the contract will be governed by the General Conditions of Contract issued by National Treasury. You will also be required to register on the Central Supplier Database (www.csd.gov.za). Registration is free of charge and can be done online.
11. All municipal bidding documentation (MBD) forms are available on the municipality's website at www.pamun.gov.za, or can be requested from the Finance Department (Supply Chain Management Division).
12. Contact details for enquiries:

Technical Enquiries

Ashley America
Manager: Infrastructure Services
Office: 023 541 1036
Cell: 079 869 1342
Email: ashley@pamun.gov.za

SCM Enquiries

David-Leigh Willemse
Office: 023 541 1036
Cell: 082 895 9261
Email: scm@pamun.gov.za

13. The Municipality reserves the right to withdraw any invitation to bid and/or re-advertise or to reject any bid or to accept a part of it. The Municipality does not bind itself to accept the lowest bid or to award a contract to the Bidder scoring the highest number of points.
14. Bidders may submit their quotations to Prince Albert Municipality using one of the following options:
 - **Electronic submission (Email, no faxes allowed)**
Documentation to be emailed to the Supply Chain Management Unit
scm@pamun.gov.za
 - **Hand-delivered submission** to the following address:
Supply Chain Management Unit (Finance Building)
23 Church Street
Prince Albert
6930

Yours faithfully,

**ANNELEEN VORSTER
MUNICIPAL MANAGER**

MUNISIPALITEIT
VAN
PRINS ALBERT



MUNICIPALITY
OF
PRINCE ALBERT

Rig alle korrespondensie aan:
DIE MUNISIPALE BESTUURDER
Privaatsak X53, Prins Albert, 6930

Address all correspondence to:
THE MUNICIPAL MANAGER
Private Bag X53, Prince Albert, 6930

E-Pos / E-Mail: scm@pamun.gov.za

Tel: 023-541 1036, Fax: 023-541 1035

CHECKLIST FOR COMPLETENESS OF BIDDING DOCUMENTATION

The bidder must ensure that the following checklist is completed, all necessary documentaton is attached to this bid and that all declarations are signed:

Mark with "X" where applicable

ITEMS TO BE CHECKED	YES	NO	COMMENTS
1. Valid and original Tax Clearance Certificate, attached to bid document (MBD2). - An original valid Tax Clearance Certificate must be attached to the bid document. Bidders must indicate their pin as provided by SARS to confirm validity of their Tax Clearance Certificate.			
2. Adhering to the price instructions (MBD 3.1)			
3. Attached a quotation/pricing schedule on the official letterhead of the bidder's company.			
4. Completed and signed declaration of interest (MBD4).			
5. Preference points claimed and signed declarations (MBD 6.1), where applicable.			
6. Completed and signed declaration certificate for Local production and content (MBD 6.2), where applicable.			
7. Signed declaration of the bidder's past Supply Chain Management practices (MBD 8)			
8. Completed and signed Certificate of Independent Bid Determination (MBD 9).			
9. Attached a valid B-BBEE Certificate or Sworn Affidavit, where applicable.			
10. Attached registration at Construction Industry Development Board (CIDB), where applicable.			
11. Attached Central Supplier Database (CSD) report.			

**I, THE UNDERSIGNED (FULL NAME).....
CERTIFY THAT THE INFORMATION FURNISHED ON THIS CHECKLIST IS TRUE AND CORRECT.**

.....
Signature

.....
Date

.....
Position

.....
Name

TAX CLEARANCE REQUIREMENTS

IT IS A CONDITION OF AN AWARD THAT -

1. The taxes of the successful awardee must be in order, or that satisfactory arrangements have been made with the Receiver of Revenue to meet his / her tax obligations.
2. The attached form "Information for Application for Tax Clearance Certificate", must be completed in all respects and returned to the municipality. **If you are in possession of an valid tax clearance certificate please attach a copy to speed up the process**
3. In bids where Consortia / Joint Ventures / Sub-contractors are involved each party must submit a separate Tax Clearance Certificate. Copies of the Application for Tax Clearance Certificates are available at any Receiver' s Office.

INFORMATION FOR APPLICATION FOR TAX CLEARANCE CERTIFICATE

1. Name of taxpayer:
2. Trade name:
3. Identification number: (If natural person)

--	--	--	--	--	--	--	--	--	--	--	--	--	--	--	--	--	--	--	--
4. Company / Close Corporation registration number:

--	--	--	--	--	--	--	--	--	--	--	--	--	--	--	--	--	--	--	--
5. Income tax reference number:

--	--	--	--	--	--	--	--	--	--	--	--	--	--	--	--	--	--	--	--
6. VAT registration number (if applicable):

--	--	--	--	--	--	--	--	--	--	--	--	--	--	--	--	--	--	--	--
7. PAYE employer's registration number (if applicable):

--	--	--	--	--	--	--	--	--	--	--	--	--	--	--	--	--	--	--	--

If the taxpayer is not a natural person please also complete the following information

1. Full names of public officer / representative vendor / employer
2. Identification number:

--	--	--	--	--	--	--	--	--	--	--	--	--	--	--	--	--	--	--	--

MUNISIPALITEIT
VAN
PRINS ALBERT



MUNICIPALITY
OF
PRINCE ALBERT

Rig alle korrespondensie aan:
DIE MUNISIPALE BESTUURDER
Privaatsak X53,
Prins Albert, 6930

Address all correspondence to:
THE MUNICIPAL MANAGER
Private Bag X53,
Prince Albert, 6930

E-Pos: scm@pamun.gov.za

E-Mail

18 SEPTEMBER 2020

REQUEST FOR FORMAL WRITTEN PRICE QUOTATION

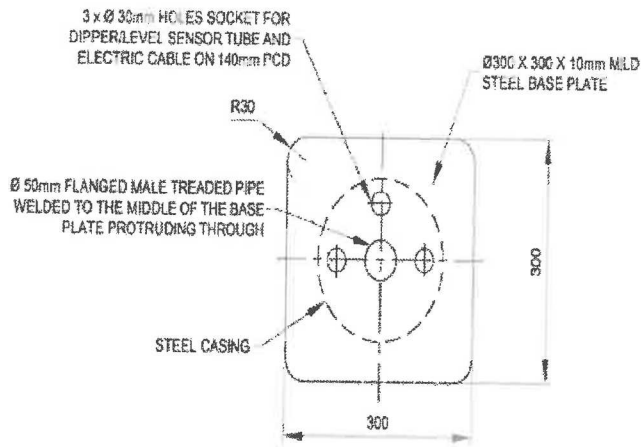
THE SUPPLY OF SUBMERSIBLE PUMPSET AND APPURTENANT BOREHOLE HEADWORKS FITTINGS FOR PRODUCTION BOREHOLE IN PRINCE ALBERT, FOR THE PRINCE ALBERT MUNICIPALITY.

Specifications

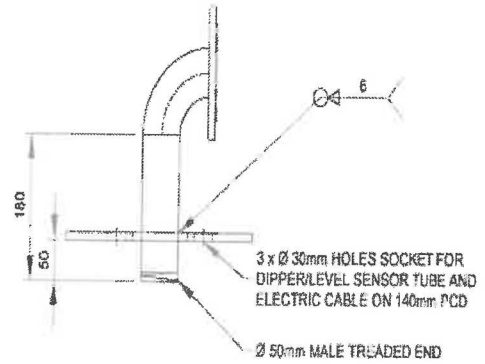
SCH NO.	DESCRIPTION	UNIT	QTY	RATE	AMOUNT
1. BOREHOLE EQUIPPING					
1.1	Supply Submersible pumpset and appurtenant fittings (refer to plan WCG01_DWG_100/101/102/103) Submit detail of supplier pump: _____				
	<u>Submersible Pump, Motor and Appurtenants</u>				
1.1.1	50 DN 'SVM' model SVM 240/14 Franklin electric submersible pump complete with integral non-return valve, flow inducer (cooling) sleeve, 400V three phase motor of 2,2 kW and lead out cable	No	1		
1.1.2	25mm Class 6 HDPE Type IV borehole dipper tube strapped to riser column at 1,5m centres with 280mm x 7,8mm cable ties and protruding 100mm through borehole base plate	m	75		
1.1.3	32mm Class 6 HDPE Type IV borehole level transducer tube strapped to riser column at 1,5m centres with 280mm x 7,8mm cable ties and protruding 100mm through borehole base plate	m	75		
1.1.4	50 DN 'Plasson' compression male adapters	No	1		
1.1.5	50mm Class 10 HDPE Type IV riser column	m	75		
1.1.6	50 DN 'Plasson' compression female adapters	No	1		
1.1.7	4-core submersible electric cable size 4mm ² (incl. cable ends)	m	80		
1.1.8(a)	(a) 4mm ² 4-core armoured PVC SWA PVC 1000V cable (incl. cable ends) and 2.5mm ² bare copper earth wire complete with danger tape.	m	20		

1.1.8(b)	(b) 6mm ² 4-core armoured 1 000V cable (incl. cable ends) and 4mm ² bare copper earth wire complete with danger tape.	m	0		RATE ONLY
1.1.9	7mm diameter Poly Propylene safety Rope	m	80		
VALVES AND METERS					
1.1.10	25 DN Tekflo full bore brass ball valve F/F, or similarly approved	No	3		
1.1.11	25 DN Tekflo cast iron Y-strainer F/F, or similarly approved	No	1		
1.1.12	25 DN dual purpose/orifice Vent-o-Mat/A.R.I air release valve, or similarly approved	No	1		
1.1.13	50 DN Tekflo wafer type check valve	No	1		
1.1.14	50 DN PN 16 Ductile Iron AVK RSV Gate valve, non rising stem. Or similarly approved.	No	1		
1.1.15	50 DN SANS 1000/3 Klamflex Flange adaptor to suit PVC or HDPE pipe, or similarly approved	No	1		
1.1.16	1/4" DN WIKA 100mm face, 1600 kPa, bottom entry pressure gauge or similarly approved	No	1		
1.1.17	EN 1092 PN 16 Flanged Mechanical Flow Meter with Pulse output capabilities	No	2		
FLANGED PIPE WORK AND FITTINGS (INCLUDING ALL GASKETS, NUTS, WASHERS AND BOLTS)					
1.1.18	10mm GMS plate with 50mm male threaded welded pipe and SANS 1000/3 flanged long radius elbow and 3 x 30mm diameter holes drilled for dipper tube, transducer tube and cable. As per detail A below	No	1		
1.1.19	50 DN GMS SANS 1000/3 flanged equal T-piece with 50mm extended branch	No	1		
1.1.20	50 DN GMS SANS 1000/3 flanged male threaded nipple	No	1		
1.1.21	25 x 50 DN GMS reducing socket F/F	No	1		
1.1.22	25 x 1/4" DN GMS reducing socket F/F	No	1		
1.1.23	25 DN GMS barrel nipple M/M	No	5		
1.1.24	25 DN GMS socket F/F	No	1		
1.1.25	600mm long 50 DN GMS SANS 1000/3 flanged manifold with 3 x 25mm welded female threaded sockets (including end-caps). Sockets to be spaced 200mm apart.	No	1		
1.1.26	250mm long 50 DN GMS SANS 1000/3 flanged pipe	No	2		
1.1.27	50 x 25 DN GMS SANS 1000/3 flanged unequal T-piece, with 200mm long male treaded branch. See Detail B below.	No	1		
1.1.28	1000mm long 25 DN GMS male threaded pipe (See Detail B below)	No	1		
1.1.29	50 DN GMS SANS 1000/3 flanged long radius 90° elbow	No	2		
1.1.30	1000mm long 50 DN GMS SANS 1000/3 flanged pipe	No	1		
SUBTOTAL					
VAT @ 15%					
GRAND TOTAL					

DETAIL A- FABRICATED BASE PLATE

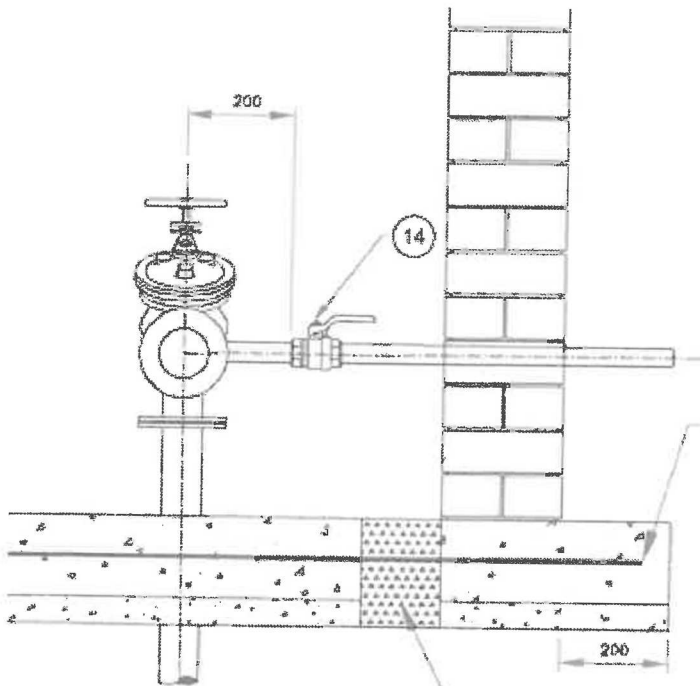


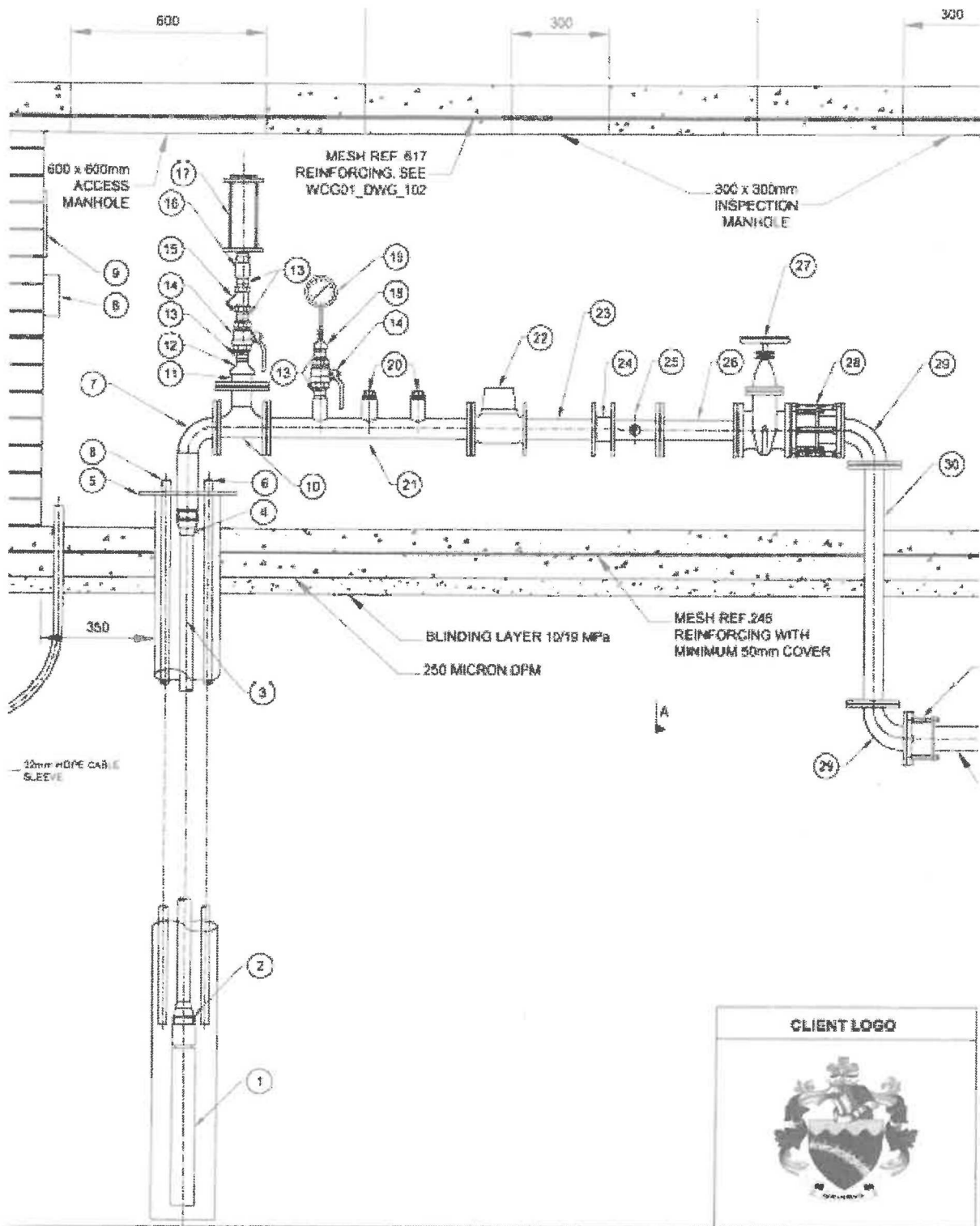
DETAIL A
TOP VIEW
SCALE 1:10



DETAIL A
SIDE VIEW
SCALE 1:10

DETAIL B- 200mm EXTENDED BRANCH





ITEM NO	DESCRIPTION	MATERIAL	QUANTITY	SIZE	LENGTH
1	SUBMERSIBLE PUMP TO ENGINEERING SPECIFICATIONS	-	-	AS PER ENGINEERING SPECIFICATIONS	-
2	PLASSON ADAPTOR M	HDPE	1	Ø 50mm (TYPICAL)	-
3	BOREHOLE RISER PIPE	HDPE	1	Ø 50mm CL12 (TYPICAL)	-
4	PLASSON ADAPTOR F	HDPE	1	Ø 50mm (TYPICAL)	-
5	FABRICATED BASE PLATE	GMS	1	300 x 300 x 10mm	-
6	DIP AND LEVEL SENSOR TUBE	HDPE	2	Ø 32mm	-
7	SANS 1000/3 FLANGED LONG RADIUS WITH MALE THREADED BRANCH WELDED TO BASE PLATE	GMS	1	Ø 50mm	-
8	25mm 4 WAY PRATLEY CCG BOX SECURED PROPERLY	PLASTIC	1	-	-
9	BOREHOLE NAME PLATE	STEEL	1	-	-
10	SANS 1000/3 FLANGED EQUAL T-PIECE WITH 50mm EXTENDED BRANCH	GMS	1	Ø 50mm	-
11	SANS 1000/3 FLANGED MALE THREADED NIPPLE	GMS	1	Ø 50mm	-
12	REDUCING SOCKET F/F	GMS	1	Ø 50 x 25 mm	-
13	WIPPLE MM	GMS	5	Ø 25 mm	-
14	TEKFLO FULL BORE BRASS BALL VALVE F/F	BRASS	3	Ø 25 mm	-
15	TEKFLO Y STRAINER F/F	CAST IRON	1	Ø 25 mm	-
16	STRAIGHT SOCKET F/F	GMS	1	Ø 25 mm	-
17	DUAL PURPOSE AIR RELEASE VALVE MALE THREADED	-	1	Ø 25 mm	-
18	REDUCING SOCKET F/F	GMS	1	Ø 25mm x 1/4"	-
19	1600 kPa _a GLYCERINE FILLED, BOTTOM MOUNTED PRESSURE GAUGE WITH 100mm DIAL	SS	1	1/4"	-
20	SOLID PLUG	GMS	2	Ø 25 mm	-
21	SANS 1000/3 FLANGED MANIFOLD WITH 3 WELDED FEMALE THREADED SOCKETS	GMS	1	Ø 50 x 25 mm	600 mm
22	EN 1092 PN 16 FLANGED MECHANICAL FLOW METER WITH PULSE OUTPUT CAPABILITIES	CAST IRON	1	Ø 50mm	-
23	SANS 1000/3 FLANGED PIPE	GMS	1	Ø 50mm	200 mm
24	TEKLO WAFER TYPE CHECK VALVE - SINGLE DOOR	CAST IRON	1	Ø 50mm	-
25	SANS 1000/3 FLANGED UNEQUAL T-PIECE WITH 25mm MALE THREADED BRANCH 200mm LONG	GMS	1	Ø 50 x 25 mm	-
26	SANS 1000/3 FLANGED PIPE RESERVED FOR FLOW CONTROL VALVE	GMS	1	Ø 50mm	210 mm
27	PN16 RSV GATE VALVE	CAST IRON	1	Ø 50mm	-
28	BS EN1092-1 PN10 FLANGED VIKING JOHNSON DISMANTLING JOINT	DI	1	Ø 50mm	-
29	SANS 1000/3 FLANGED LONG RADIUS ELBOW	GMS	2	Ø 50mm	-
30	SANS 1000/3 FLANGED PIPE	GMS	1	Ø 50mm	1000 mm
31	PVC/HDPE FLANGED ADAPTOR	CAST IRON	1	Ø 50mm	-

ADDITIONAL SPECIFICATIONS:

1. Delivery must occur **within 14-21 calendar days** from the date of official purchase order.
2. Items labelled in the drawing have been intentionally omitted from the Bill of Quantities
3. Pricing must be in accordance with the items listed and described in the Bill of Quantities.
4. All items listed in the Bill of Quantities must be quoted for and subsequently supplied accordingly.
5. All fastners (nuts, bolts & washers) to be Class 8.8 Hot Dipped Galavanize by the centrifugal process in accordance with SANS 121 and with thickness of coating to ISO 1461:2000.
6. All steel pipes, fittings and flanges to be heavy duty **Hot Dipped Galvanized** with a minimum zinc coating of 105 micron.
7. HDPE pipe to be in accordance with SABS ISO 4427.
8. All flanged valves and equipment to be compatible with SANS 1000/3 PCD.
9. This Bid is subject to Regulation 8 of the PPPFA, 2000: Preferential Procurement Regulations, 2017 pertaining to Local Production and Content. The declaration for local production and content (MBD 6.2) must be duly completed and signed off. All relevant annexures must be completed and signed off. **Failure to comply will result in the bid being non-responsive.**
10. The following designated sectors and its stipulated minimum thresholds for local production and content is applicable on this bid:
 - Electrical and telecom cables 90%
 - Valves products and actuators 70%
 - Steel value-added products 100%
 - **Plastic Pipes** 100%
 - Polyvinyl chloride (PVC) pipes 100%
 - High density polyethylene (HDPE) pipes 100%
 - Polypropylene (PP) pipes 100%
 - Glass reinforced plastic (GRP) pipe 100%

CONTACT PERSON

Ashley America (Manager: Infrastructure Services)

Office: 023 5411 036

Cell: 079 869 1342

Email: ashley@pamun.gov.za

MBD 4

DECLARATION OF INTEREST

- 1. No bid will be accepted from persons in the service of the state¹.
- 2. Any person, having a kinship with persons in the service of the state, including a blood relationship, may make an offer or offers in terms of this invitation to bid. In view of possible allegations of favouritism, should the resulting bid, or part thereof, be awarded to persons connected with or related to persons in service of the state, it is required that the bidder or their authorised representative declare their position in relation to the evaluating/adjudicating authority.
- 3 **In order to give effect to the above, the following questionnaire must be completed and submitted with the bid.**

3.1 Full Name of bidder or his or her representative:.....

3.2 Identity Number:

3.3 Position occupied in the Company (director, trustee, hareholder²):.....

3.4 Company Registration Number:

3.5 Tax Reference Number:.....

3.6 VAT Registration Number:

3.7 The names of all directors / trustees / shareholders members, their individual identity numbers and state employee numbers must be indicated in paragraph 4 below.

3.8 Are you presently in the service of the state? **YES / NO**

3.8.1 If yes, furnish particulars.

.....

¹MSCM Regulations: "in the service of the state" means to be –

- (a) a member of –
 - (i) any municipal council;
 - (ii) any provincial legislature; or
 - (iii) the national Assembly or the national Council of provinces;
- (b) a member of the board of directors of any municipal entity;
- (c) an official of any municipality or municipal entity;
- (d) an employee of any national or provincial department, national or provincial public entity or constitutional institution within the meaning of the Public Finance Management Act, 1999 (Act No.1 of 1999);
- (e) a member of the accounting authority of any national or provincial public entity; or
- (f) an employee of Parliament or a provincial legislature.

² Shareholder" means a person who owns shares in the company and is actively involved in the management of the company or business and exercises control over the company.

3.9 Have you been in the service of the state for the past twelve months? **YES / NO**

3.9.1 If yes, furnish particulars.....
.....

3.10 Do you have any relationship (family, friend, other) with persons in the service of the state and who may be involved with the evaluation and or adjudication of this bid? **YES / NO**

3.10.1 If yes, furnish particulars.
.....
.....

3.11 Are you, aware of any relationship (family, friend, other) between any other bidder and any persons in the service of the state who may be involved with the evaluation and or adjudication of this bid? **YES / NO**

3.11.1 If yes, furnish particulars
.....
.....

3.12 Are any of the company's directors, trustees, managers, principle shareholders or stakeholders in service of the state? **YES / NO**

3.12.1 If yes, furnish particulars.
.....
.....

3.13 Are any spouse, child or parent of the company's directors trustees, managers, principle shareholders or stakeholders in service of the state? **YES / NO**

3.13.1 If yes, furnish particulars.
.....
.....

3.14 Do you or any of the directors, trustees, managers, principle shareholders, or stakeholders of this company have any interest in any other related companies or business whether or not they are bidding for this contract. **YES / NO**

3.14.1 If yes, furnish particulars:
.....
.....

4. Full details of directors / trustees / members / shareholders.

Full Name	Identity Number	State Employee Number

.....
Signature

.....
Date

.....
Capacity

.....
Name of Bidder

**PREFERENCE POINTS CLAIM FORM IN TERMS OF THE PREFERENTIAL
PROCUREMENT REGULATIONS 2017**

This preference form must form part of all bids invited. It contains general information and serves as a claim form for preference points for Broad-Based Black Economic Empowerment (B-BBEE) Status Level of Contribution

NB: BEFORE COMPLETING THIS FORM, BIDDERS MUST STUDY THE GENERAL CONDITIONS, DEFINITIONS AND DIRECTIVES APPLICABLE IN RESPECT OF B-BBEE, AS PRESCRIBED IN THE PREFERENTIAL PROCUREMENT REGULATIONS, 2017.

1. GENERAL CONDITIONS

1.1 The following preference point systems are applicable to all bids:

- the 80/20 system for requirements with a Rand value of up to R50 000 000 (all applicable taxes included); and
- the 90/10 system for requirements with a Rand value above R50 000 000 (all applicable taxes included).

1.2

- a) The value of this bid is estimated to exceed/not exceed R50 000 000 (all applicable taxes included) and therefore the preference point system shall be applicable; or
- b) Either the 80/20 or 90/10 preference point system will be applicable to this tender (*delete whichever is not applicable for this tender*).

1.3 Points for this bid shall be awarded for:

- (a) Price; and
- (b) B-BBEE Status Level of Contributor.

1.4 The maximum points for this bid are allocated as follows:

	POINTS
PRICE	
B-BBEE STATUS LEVEL OF CONTRIBUTOR	
Total points for Price and B-BBEE must not exceed	100

1.5 Failure on the part of a bidder to submit proof of B-BBEE Status level of contributor together with the bid, will be interpreted to mean that preference points for B-BBEE status level of contribution are not claimed.

1.6 The purchaser reserves the right to require of a bidder, either before a bid is adjudicated or at any time subsequently, to substantiate any claim in regard to preferences, in any manner required by the purchaser.

B-BBEE Status Level of Contributor	Number of points (90/10 system)	Number of points (80/20 system)
1	10	20
2	9	18
3	6	14
4	5	12
5	4	8
6	3	6
7	2	4
8	1	2
Non-compliant contributor	0	0

5. BID DECLARATION

5.1 Bidders who claim points in respect of B-BBEE Status Level of Contribution must complete the following:

6. B-BBEE STATUS LEVEL OF CONTRIBUTOR CLAIMED IN TERMS OF PARAGRAPHS 1.4 AND 4.1

6.1 B-BBEE Status Level of Contributor: . =(maximum of 10 or 20 points)
(Points claimed in respect of paragraph 7.1 must be in accordance with the table reflected in paragraph 4.1 and must be substantiated by relevant proof of B-BBEE status level of contributor.

7. SUB-CONTRACTING

7.1 Will any portion of the contract be sub-contracted?

(Tick applicable box)

YES	<input type="checkbox"/>	NO	<input type="checkbox"/>
-----	--------------------------	----	--------------------------

7.1.1 If yes, indicate:

- What percentage of the contract will be subcontracted.....%
- The name of the sub-contractor.....
- The B-BBEE status level of the sub-contractor.....
- Whether the sub-contractor is an EME or QSE

(Tick applicable box)

YES	<input type="checkbox"/>	NO	<input type="checkbox"/>
-----	--------------------------	----	--------------------------

- Specify, by ticking the appropriate box, if subcontracting with an enterprise in terms of Preferential Procurement Regulations, 2017:

Designated Group: An EME or QSE which is at least 51% owned by:	EME √	QSE √
Black people		
Black people who are youth		
Black people who are women		
Black people with disabilities		
Black people living in rural or underdeveloped areas or townships		
Cooperative owned by black people		

Black people who are military veterans		
OR		
Any EME		
Any QSE		

8. DECLARATION WITH REGARD TO COMPANY/FIRM

8.1 Name _____ of
company/firm:.....

8.2 VAT _____ registration
number:.....

8.3 Company _____ registration
number:.....

8.4 TYPE OF COMPANY/ FIRM

- Partnership/Joint Venture / Consortium
- One person business/sole propriety
- Close corporation
- Company
- (Pty) Limited

[TICK APPLICABLE BOX]

8.5 DESCRIBE PRINCIPAL BUSINESS ACTIVITIES

.....

8.6 COMPANY CLASSIFICATION

- Manufacturer
- Supplier
- Professional service provider
- Other service providers, e.g. transporter, etc.

[TICK APPLICABLE BOX]

8.7 MUNICIPAL INFORMATION

Municipality where business is situated:

Registered Account Number:

Stand Number:.....

8.8 Total number of years the company/firm has been in business:.....

8.9 I/we, the undersigned, who is / are duly authorised to do so on behalf of the company/firm, certify that the points claimed, based on the B-BBE status level of contributor indicated in paragraphs 1.4 and 6.1 of the foregoing certificate, qualifies the company/ firm for the preference(s) shown and I / we acknowledge that:

- i) The information furnished is true and correct;
- ii) The preference points claimed are in accordance with the General Conditions as indicated in paragraph 1 of this form;
- iii) In the event of a contract being awarded as a result of points claimed as shown in paragraphs 1.4 and 6.1, the contractor may be required to furnish documentary proof to the satisfaction of the purchaser that the claims are correct;
- iv) If the B-BBEE status level of contributor has been claimed or obtained on a fraudulent basis or any of the conditions of contract have not been fulfilled, the purchaser may, in addition to any other remedy it may have –
 - (a) disqualify the person from the bidding process;
 - (b) recover costs, losses or damages it has incurred or suffered as a result of that person's conduct;
 - (c) cancel the contract and claim any damages which it has suffered as a result of having to make less favourable arrangements due to such cancellation;
 - (d) recommend that the bidder or contractor, its shareholders and directors, or only the shareholders and directors who acted on a fraudulent basis, be restricted by the National Treasury from obtaining business from any organ of state for a period not exceeding 10 years, after the *audi alteram partem* (hear the other side) rule has been applied; and
 - (e) forward the matter for criminal prosecution.

WITNESSES

1.

2.

.....
SIGNATURE(S) OF BIDDERS(S)

DATE:

ADDRESS

.....

.....

DECLARATION CERTIFICATE FOR LOCAL PRODUCTION AND CONTENT FOR DESIGNATED SECTORS

This Municipal Bidding Document (MBD) must form part of all bids invited. It contains general information and serves as a declaration form for local content (local production and local content are used interchangeably).

Before completing this declaration, bidders must study the General Conditions, Definitions, Directives applicable in respect of Local Content as prescribed in the Preferential Procurement Regulations, 2017, the South African Bureau of Standards (SABS) approved technical specification number SATS 1286:2011 (Edition 1) and the Guidance on the Calculation of Local Content together with the Local Content Declaration Templates [Annex C (Local Content Declaration: Summary Schedule), D (Imported Content Declaration: Supporting Schedule to Annex C) and E (Local Content Declaration: Supporting Schedule to Annex C)].

1. General Conditions

- 1.1. Preferential Procurement Regulations, 2017 (Regulation 8) make provision for the promotion of local production and content.
- 1.2. Regulation 8.(2) prescribes that in the case of designated sectors, organs of state must advertise such tenders with the specific bidding condition that only locally produced or manufactured goods, with a stipulated minimum threshold for local production and content will be considered.
- 1.3. Where necessary, for tenders referred to in paragraph 1.2 above, a two stage bidding process may be followed, where the first stage involves a minimum threshold for local production and content and the second stage price and B-BBEE.
- 1.4. A person awarded a contract in relation to a designated sector, may not sub-contract in such a manner that the local production and content of the overall value of the contract is reduced to below the stipulated minimum threshold.
- 1.5. The local content (LC) expressed as a percentage of the bid price must be calculated in accordance with the SABS approved technical specification number SATS 1286: 2011 as follows:

$$LC = [1 - x / y] * 100$$

Where

x is the imported content in Rand

y is the bid price in Rand excluding value added tax (VAT)

Prices referred to in the determination of x must be converted to Rand (ZAR) by using the exchange rate published by South African Reserve Bank (SARB) at 12:00 on the date of advertisement of the bid as indicated in paragraph 4.1 below.

The SABS approved technical specification number SATS 1286:2011 is accessible on [http://www.thedti.gov.za/industrial development/ip.jsp](http://www.thedti.gov.za/industrial%20development/ip.jsp) at no cost.

1.6. A bid may be disqualified if this Declaration Certificate and the Annex C (Local Content Declaration: Summary Schedule) are not submitted as part of the bid documentation;

2. The stipulated minimum threshold(s) for local production and content (refer to Annex A of SATS 1286:2011) for this bid is/are as follows:

<u>Description of services, works or goods</u>	<u>Stipulated minimum threshold</u>
_____	_____ %
_____	_____ %
_____	_____ %

3. Does any portion of the goods or services offered have any imported content?

(Tick applicable box)

YES	<input type="checkbox"/>	NO	<input type="checkbox"/>
-----	--------------------------	----	--------------------------

3.1 If yes, the rate(s) of exchange to be used in this bid to calculate the local content as prescribed in paragraph 1.5 of the general conditions must be the rate(s) published by SARB for the specific currency at 12:00 on the date of advertisement of the bid.

The relevant rates of exchange information is accessible on www.reservebank.co.za

Indicate the rate(s) of exchange against the appropriate currency in the table below (refer to Annex A of SATS 1286:2011):

Currency	Rates of exchange
US Dollar	
Pound Sterling	
Euro	
Yen	
Other	

NB: Bidders must submit proof of the SARB rate (s) of exchange used.

4. Where, after the award of a bid, challenges are experienced in meeting the stipulated minimum threshold for local content the dti must be informed accordingly in order for the dti to verify and in consultation with the AO/AA provide directives in this regard.

LOCAL CONTENT DECLARATION
(REFER TO ANNEX B OF SATS 1286:2011)

LOCAL CONTENT DECLARATION BY CHIEF FINANCIAL OFFICER OR OTHER LEGALLY RESPONSIBLE PERSON NOMINATED IN WRITING BY THE CHIEF EXECUTIVE OR SENIOR MEMBER/PERSON WITH MANAGEMENT RESPONSIBILITY (CLOSE CORPORATION, PARTNERSHIP OR INDIVIDUAL)

IN RESPECT OF BID NO.

ISSUED BY: (Procurement Authority / Name of Institution):

NB

- 1 The obligation to complete, duly sign and submit this declaration cannot be transferred to an external authorized representative, auditor or any other third party acting on behalf of the bidder.
- 2 Guidance on the Calculation of Local Content together with Local Content Declaration Templates (Annex C, D and E) is accessible on <http://www.thdti.gov.za/industrialdevelopment/ip.jsp>. Bidders should first complete Declaration D. After completing Declaration D, bidders should complete Declaration E and then consolidate the information on Declaration C. **Declaration C should be submitted with the bid documentation at the closing date and time of the bid in order to substantiate the declaration made in paragraph (c) below.** Declarations D and E should be kept by the bidders for verification purposes for a period of at least 5 years. The successful bidder is required to continuously update Declarations C, D and E with the actual values for the duration of the contract.

I, the undersigned, (full names), do hereby declare, in my capacity as of(name of bidder entity), the following:

- (a) The facts contained herein are within my own personal knowledge.
- (b) I have satisfied myself that:
 - (i) the goods/services/works to be delivered in terms of the above-specified bid comply with the minimum local content requirements as specified in the bid, and as measured in terms of SATS 1286:2011; and
- (c) The local content percentage (%) indicated below has been calculated using the formula given in clause 3 of SATS 1286:2011, the rates of exchange indicated in paragraph 4.1 above and the information contained in Declaration D and E which has been consolidated in Declaration C:

Bid price, excluding VAT (y)	R
Imported content (x), as calculated in terms of SATS 1286:2011	R
Stipulated minimum threshold for local content (paragraph 3 above)	
Local content %, as calculated in terms of SATS 1286:2011	

If the bid is for more than one product, the local content percentages for each product contained in Declaration C shall be used instead of the table above.

The local content percentages for each product has been calculated using the formula given in clause 3 of SATS 1286:2011, the rates of exchange indicated in paragraph 4.1 above and the information contained in Declaration D and E.

- (d) I accept that the Procurement Authority / Institution has the right to request that the local content be verified in terms of the requirements of SATS 1286:2011.
- (e) I understand that the awarding of the bid is dependent on the accuracy of the information furnished in this application. I also understand that the submission of incorrect data, or data that are not verifiable as described in SATS 1286:2011, may result in the Procurement Authority / Institution imposing any or all of the remedies as provided for in Regulation 14 of the Preferential Procurement Regulations, 2017

promulgated under the Preferential Policy Framework Act (PPPFA), 2000 (Act No. 5 of 2000).

SIGNATURE: _____

DATE: _____

WITNESS No. 1 _____

DATE: _____

WITNESS No. 2 _____

DATE: _____

DECLARATION OF BIDDER'S PAST SUPPLY CHAIN MANAGEMENT PRACTICES

- 1 This Municipal Bidding Document must form part of all bids invited.
- 2 It serves as a declaration to be used by municipalities and municipal entities in ensuring that when goods and services are being procured, all reasonable steps are taken to combat the abuse of the supply chain management system.
- 3 The bid of any bidder may be rejected if that bidder, or any of its directors have:
 - a. abused the municipality's / municipal entity's supply chain management system or committed any improper conduct in relation to such system;
 - b. been convicted for fraud or corruption during the past five years;
 - c. willfully neglected, reneged on or failed to comply with any government, municipal or other public sector contract during the past five years; or
 - d. been listed in the Register for Tender Defaulters in terms of section 29 of the Prevention and Combating of Corrupt Activities Act (No 12 of 2004).
- 4 **In order to give effect to the above, the following questionnaire must be completed and submitted with the bid.**

Item	Question	Yes	No
4.1	Is the bidder or any of its directors listed on the National Treasury's database as a company or person prohibited from doing business with the public sector? (Companies or persons who are listed on this database were informed in writing of this restriction by the National Treasury after the <i>audi alteram partem</i> rule was applied).	Yes <input type="checkbox"/>	No <input type="checkbox"/>
4.1.1	If so, furnish particulars:		
4.2	Is the bidder or any of its directors listed on the Register for Tender Defaulters in terms of section 29 of the Prevention and Combating of Corrupt Activities Act (No 12 of 2004)? (To access this Register enter the National Treasury's website, www.treasury.gov.za, click on the icon "Register for Tender Defaulters" or submit your written request for a hard copy of the Register to facsimile number (012) 3265445).	Yes <input type="checkbox"/>	No <input type="checkbox"/>
4.2.1	If so, furnish particulars:		
4.3	Was the bidder or any of its directors convicted by a court of law (including a court of law outside the Republic of South Africa) for fraud or corruption during the past five years?	Yes <input type="checkbox"/>	No <input type="checkbox"/>
4.3.1	If so, furnish particulars:		

Item	Question	Yes	No
4.4	Does the bidder or any of its directors owe any municipal rates and taxes or municipal charges to the municipality / municipal entity, or to any other municipality / municipal entity, that is in arrears for more than three months?	Yes <input type="checkbox"/>	No <input type="checkbox"/>
4.4.1	If so, furnish particulars:		
4.5	Was any contract between the bidder and the municipality / municipal entity or any other organ of state terminated during the past five years on account of failure to perform on or comply with the contract?	Yes <input type="checkbox"/>	No <input type="checkbox"/>
4.7.1	If so, furnish particulars:		

CERTIFICATION

**I, THE UNDERSIGNED (FULL NAME)
CERTIFY THAT THE INFORMATION FURNISHED ON THIS
DECLARATION FORM TRUE AND CORRECT.**

**I ACCEPT THAT, IN ADDITION TO CANCELLATION OF A CONTRACT,
ACTION MAY BE TAKEN AGAINST ME SHOULD THIS DECLARATION
PROVE TO BE FALSE.**

.....
Signature

.....
Date

.....
Position

.....
Name of Bidder

CERTIFICATE OF INDEPENDENT BID DETERMINATION

- 1 This Municipal Bidding Document (MBD) must form part of all bids¹ invited.

- 2 Section 4 (1) (b) (iii) of the Competition Act No. 89 of 1998, as amended, prohibits an agreement between, or concerted practice by, firms, or a decision by an association of firms, if it is between parties in a horizontal relationship and if it involves collusive bidding (or bid rigging).² Collusive bidding is a *pe se* prohibition meaning that it cannot be justified under any grounds.

- 3 Municipal Supply Regulation 38 (1) prescribes that a supply chain management policy must provide measures for the combating of abuse of the supply chain management system, and must enable the accounting officer, among others, to:
 - a. take all reasonable steps to prevent such abuse;
 - b. reject the bid of any bidder if that bidder or any of its directors has abused the supply chain management system of the municipality or municipal entity or has committed any improper conduct in relation to such system; and
 - c. cancel a contract awarded to a person if the person committed any corrupt or fraudulent act during the bidding process or the execution of the contract.

- 4 This MBD serves as a certificate of declaration that would be used by institutions to ensure that, when bids are considered, reasonable steps are taken to prevent any form of bid-rigging.

- 5 In order to give effect to the above, the attached Certificate of Bid Determination (MBD 9) must be completed and submitted with the bid:

¹ Includes price quotations, advertised competitive bids, limited bids and proposals.

² Bid rigging (or collusive bidding) occurs when businesses, that would otherwise be expected to compete, secretly conspire to raise prices or lower the quality of goods and / or services for purchasers who wish to acquire goods and / or services through a bidding process. Bid rigging is, therefore, an agreement between competitors not to compete.

CERTIFICATE OF INDEPENDENT BID DETERMINATION

I, the undersigned, in submitting the accompanying bid:

(Bid Number and Description)

in response to the invitation for the bid made by:

Prince Albert Municipality
(Name of Municipality / Municipal Entity)

do hereby make the following statements that I certify to be true and complete in every respect:

I certify, on behalf of: _____ that:

(Name of Bidder)

1. I have read and I understand the contents of this Certificate;
2. I understand that the accompanying bid will be disqualified if this Certificate is found not to be true and complete in every respect;
3. I am authorized by the bidder to sign this Certificate, and to submit the accompanying bid, on behalf of the bidder;
4. Each person whose signature appears on the accompanying bid has been authorized by the bidder to determine the terms of, and to sign, the bid, on behalf of the bidder;
5. For the purposes of this Certificate and the accompanying bid, I understand that the word "competitor" shall include any individual or organization, other than the bidder, whether or not affiliated with the bidder, who:
 - (a) has been requested to submit a bid in response to this bid invitation;
 - (b) could potentially submit a bid in response to this bid invitation, based on their qualifications, abilities or experience; and
 - (c) provides the same goods and services as the bidder and/or is in the same line of business as the bidder

6. The bidder has arrived at the accompanying bid independently from, and without consultation, communication, agreement or arrangement with any competitor. However communication between partners in a joint venture or consortium³ will not be construed as collusive bidding.
7. In particular, without limiting the generality of paragraphs 6 above, there has been no consultation, communication, agreement or arrangement with any competitor regarding:
 - (a) prices;
 - (b) geographical area where product or service will be rendered (market allocation)
 - (c) methods, factors or formulas used to calculate prices;
 - (d) the intention or decision to submit or not to submit, a bid;
 - (e) the submission of a bid which does not meet the specifications and conditions of the bid; or
 - (f) bidding with the intention not to win the bid.
8. In addition, there have been no consultations, communications, agreements or arrangements with any competitor regarding the quality, quantity, specifications and conditions or delivery particulars of the products or services to which this bid invitation relates.
9. The terms of the accompanying bid have not been, and will not be, disclosed by the bidder, directly or indirectly, to any competitor, prior to the date and time of the official bid opening or of the awarding of the contract.

³ Joint venture or Consortium means an association of persons for the purpose of combining their expertise, property, capital, efforts, skill and knowledge in an activity for the execution of a contract.

10. I am aware that, in addition and without prejudice to any other remedy provided to combat any restrictive practices related to bids and contracts, bids that are suspicious will be reported to the Competition Commission for investigation and possible imposition of administrative penalties in terms of section 59 of the Competition Act No 89 of 1998 and or may be reported to the National Prosecuting Authority (NPA) for criminal investigation and or may be restricted from conducting business with the public sector for a period not exceeding ten (10) years in terms of the Prevention and Combating of Corrupt Activities Act No 12 of 2004 or any other applicable legislation.

.....
Signature

.....
Date

.....
Position

.....
Name of Bidder

Js9141w 4